



Opus Ink

Inkjet Labeling for Medical Materials

Prints texts and bar codes for identifying mats and meds.

Quick setup. Does not require height adjustment.

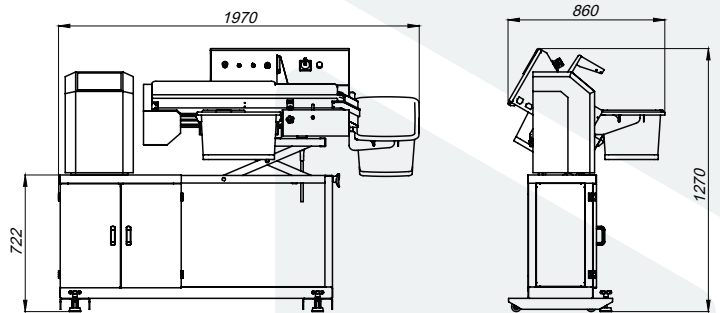
Safe Stock - Prevents waste in the Hospital Pharmacy.

Include text and a barcode on hospital supplies and medications **and send your costs to the patient's account.**



- Does not require adjustment of the distance between the printer head and the product.
- Tilted position conveyor for operator convenience.
- Uses non-toxic alcohol based ink with instantaneous dry.
- Easy format change in less than 5 seconds.
- It has inlet and outlet reservoirs of 26 liters each.
- Labeling speed: up to 3,000 items per hour.
- Communicates with the hospital's ERP (optional software).
- Stainless steel printer.
- Power required: 220 volts, 3,800 watts.
- Equipment weight: 150 Kg.
- Number of operators: One.
- It has wheels and position locks.
- Substrates: paper, cardboard, porous plastics, etc.

- 7" color touch screen HCl
- Prints text, linear and 2D bar codes.
- Alert system.
- Reduced ink cost, with 0.8 L cartridges that last for months.
- Access to maintenance and production history.
- Does not require compressed air.
- Operator access by password.
- Communication: Ethernet, USB or SD.
- 1 year warranty.



Creators and manufacturers of technology exported to 21 countries.

**Our equipment may change without prior notice due to constant technological improvements.*

Eliminate Inefficiency. Renew your concepts.



R. Humberto Pela, 68
Louveira - SP - Brasil - CEP 13.290-000
Phone: +55 (19) 3878 1036

www.opuspac.com
blog.opuspac.com
info@opuspac.com